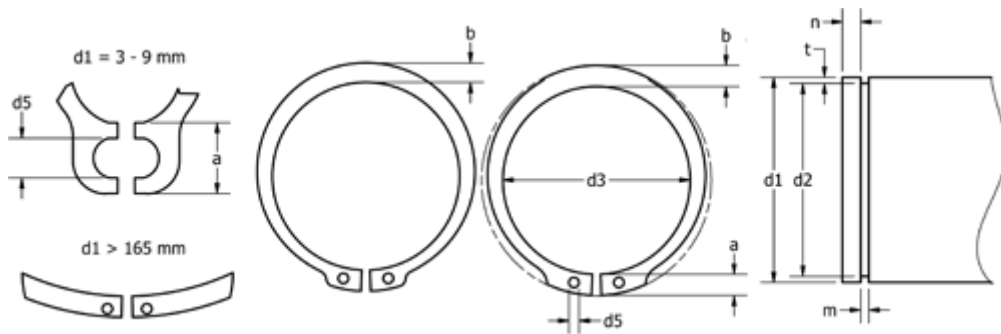


Article number: 01010422  
 Description: Retaining ring A 25 DIN 471  
 Zinc plated 041  
 Note: Fitted with ZGA pilers

## Measures



a max	= 4.4	FN kN	= 7.0	s	= 1.20
AN mm <sup>2</sup>	= 42.3	FRg kN	= 3.70	t	= 0.55
b	= 3.0	FR kN	= 16.20	tol	= -0.21
d1	= 25	g	= 1.5	tol	= -0.06
d2	= 23.9	K kN-mm	= 33.40	tol	= +0,21-0,42
d3	= 23.2	m min	= 1.30	Tong	= ZGA-2
d5 min	= 2.0	n abl x 1000	= 25.0	Weight kg/1000	= 1.900
Description	= A25	Nominal drive	= 1.7		